



**15,000 lbs
Heavy Duty**

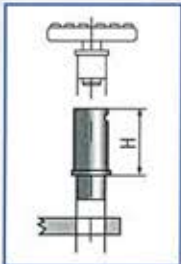
KPH 370.55 LIKU
15,000 lbs



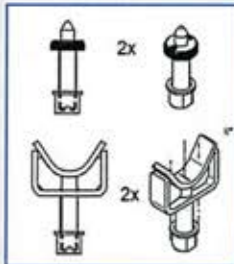
KPH 370.55 LIKTU
15,000 lbs

Model equipped with four long three-stage arms: ideal to lift long wheel base vans and easy positioning of cars.

OPTIONS



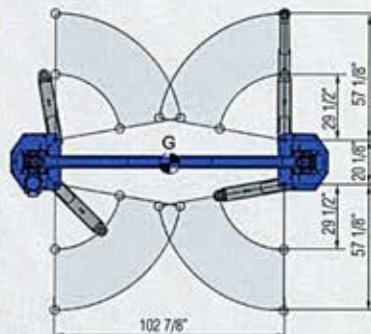
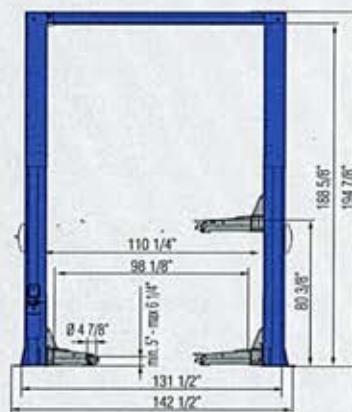
S 224 A3 - H 3 1/4"
S 224 A4 - H 5 1/2"
S 370 A18 - H 7 3/4"
Truck Adapters



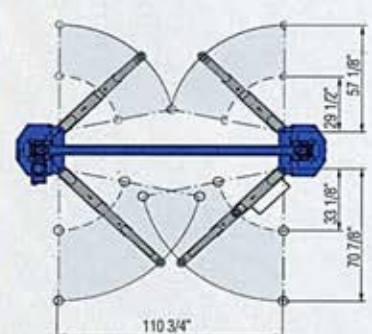
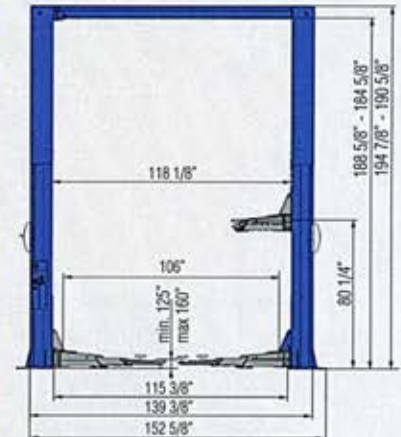
S 370A17
Sprinter supports

TECHNICAL DATA	KPH370.50 - KPH370.55
Single-phase motor	220 V - 60 cycles 2 HP
Three-phase motor	220 V - 60 cycles 4 HP

KPH370.55LIKU



KPH370.55LIKTU



RAV Equipment U.S.A. Inc.
+1.888.625.4387
rav@ravaglioli.com

INTERNATIONAL
Ravaglioli S.p.A.
40037 Sasso Marconi
Fraz. Pontecchio M.
P.O.B. 1690 - Bologna - Italia
Tel. +39 - 051 - 6781511
Fax +39 - 051 - 846349
rav@ravaglioli.com
www.ravaglioli.com

Technical data and composition presented in this catalogue may vary. Pictures repr



Your FULL SERVICE Shop Equipment Dealer
1082 Schoolhouse Rd. Harveys Lake, PA 18618
1 877 RING AET (1 877 746 4238)

