



Ravaglioli

COMPANY WITH QUALITY MANAGEMENT
SYSTEM CERTIFIED BY DNV
= ISO 9001:2008 =

KPH 370.42 KU 10,000 lbs

Perfect synchronization between carriages regardless of load distribution.

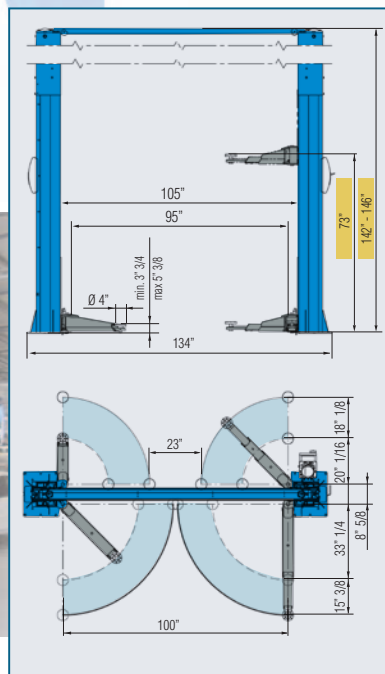
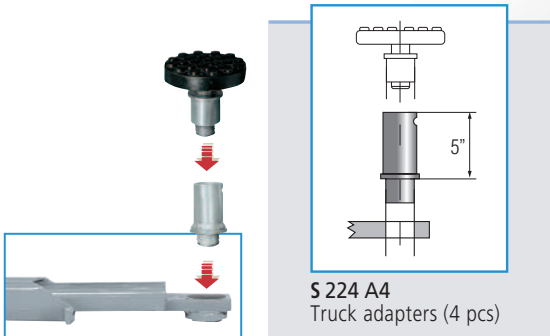
Equipped with safety valve to prevent overloading and in case of hydraulic pipe fracture.

Self-controlled lowering speed. Three-stage short arms and two-stage long arms provide asymmetric lifting of vans and off-road vehicles.

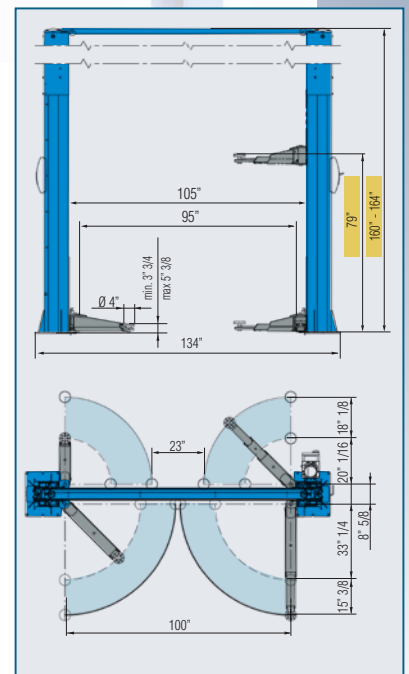


KPH
370.42KU

*10,000 lbs
2 Post Lift*



**STANDARD HEIGHT
KPH370.42KU / VAR3725**



**EXTENDED HEIGHT
KPH370.42KU**

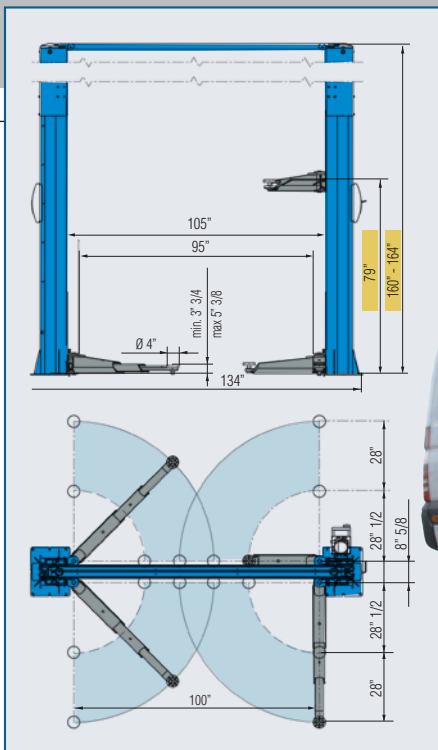
Top product
Made in Italy



10,000 lbs
Sprinter arms

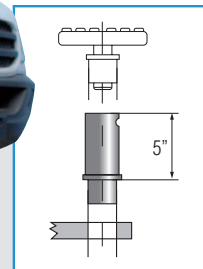
KPH 370.42 LIKU
10,000 lbs

Model equipped with four long three-stage arms: ideal to lift long wheel base vans and easy loading of cars.



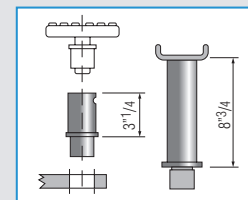
KPH370.42 LIKU - Extended height

**Also available with standard height
KPH 370.42 LIKU + VAR 3725**



S 224 A4
Truck adapters (4 pcs)

OPTIONS



S 305 A9
Spacers for Mercedes
Sprinter (2+2 pcs)

Mechanical safety latch with automatic engagement ensuring maximum safety when lift is in standing position.



Synchronization cables grant the levelling of the two carriages.



Each column features a maintenance-free lifting cylinder.

Adjustable height

Very low pads, adjustable height

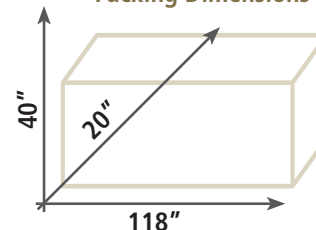


Automatic arm locking during lifting and automatic unlocking when the arm reaches the floor-self-locking conical design



TECHNICAL DATA	
Single-phase motor	220 V - 60 cycles 2 HP
Three-phase motor	220 V - 60 cycles 4 HP
Shipping Weight	1653 lbs

Packing Dimensions



RAV Equipment U.S.A. Inc.
800.816.8138
info@ravamerica.com
www.ravamerica.com

INTERNATIONAL
Ravaglioli S.p.A.
40037 Sasso Marconi
Fraz. Pontecchio M.
P.O.B. 1690 - Bologna - Italia
Tel. +39 - 051 - 6781511
Fax +39 - 051 - 846349
rav@ravaglioli.com
www.ravaglioli.com

Technical data and composition presented in this catalogue may vary. Pictures reproduced are only indicative.

