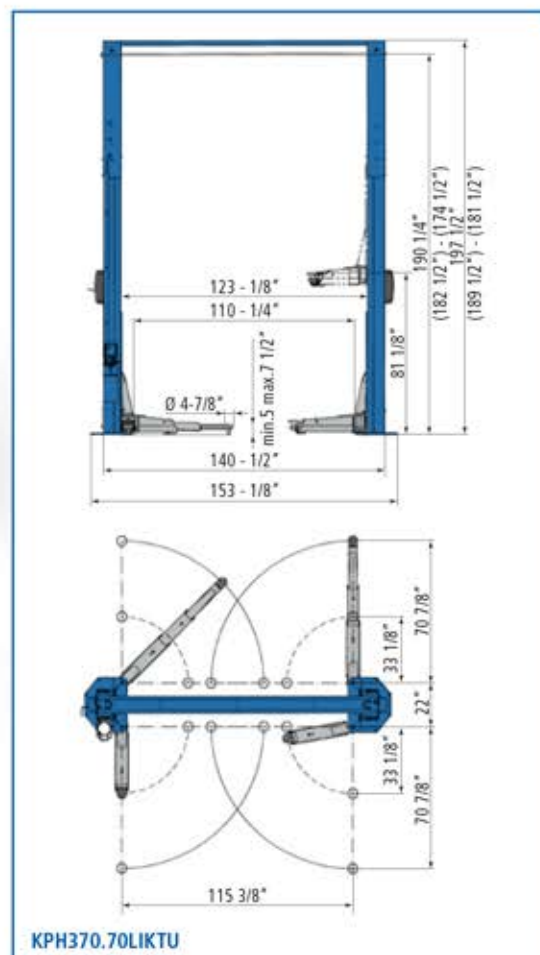




MAXLOAD 18



STANDARD

S370A7
(H=3 1/4")



S370A8
(H=5 1/2")
+ S5.337A2
Special support



OPTIONS

KPH370.55LIKT
KPH370.70LIKT



S224A3



S370A7
(H=3 1/4")
S224A4



S370A8
(H=5 1/2")



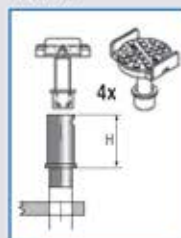
S370A18
S370A15
(H=8")



For Fiat Ducato, Peugeot Boxer, Citroën Jumper Spacers

S370A19

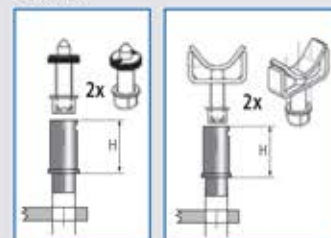
S370A16



Frame adapters

S370A17

S370A14



For Mercedes Sprinter, VW LT+Crafter Adapters