



# Ravaglioli

COMPANY WITH QUALITY MANAGEMENT  
SYSTEM CERTIFIED BY DNV  
= ISO 9001:2008 =

## 14,000 Scissor alignment lift

RAV  
660.2.55U

**RAV 660.2.55U**  
**14,000 lbs**



The best solution for a rational workshop:

- space saving when lift is raised
- obstacle free floor space when lift is fully lowered.

No cross rails or torsion bars between lifting platforms provides maximum accessibility in the working area.

Hydraulic levelling system by means of a patented synchronisation device assures constantly level lifting platforms regardless of weight distribution.

All pivot points made with self lubricating bushings for long life.



RAV 660.2.55U	14000 lbs	216"
---------------	-----------	------

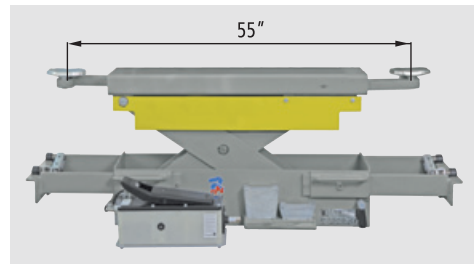


ALI/ETL approved lift with low voltage controls.

All pivot points made with self lubricating bushings for long life.



*Long platforms to lift cars and light trucks.*



J30 PRU	7000 lbs
---------	----------

Heavy duty air-hydraulic rolling jacks. Scissors type.

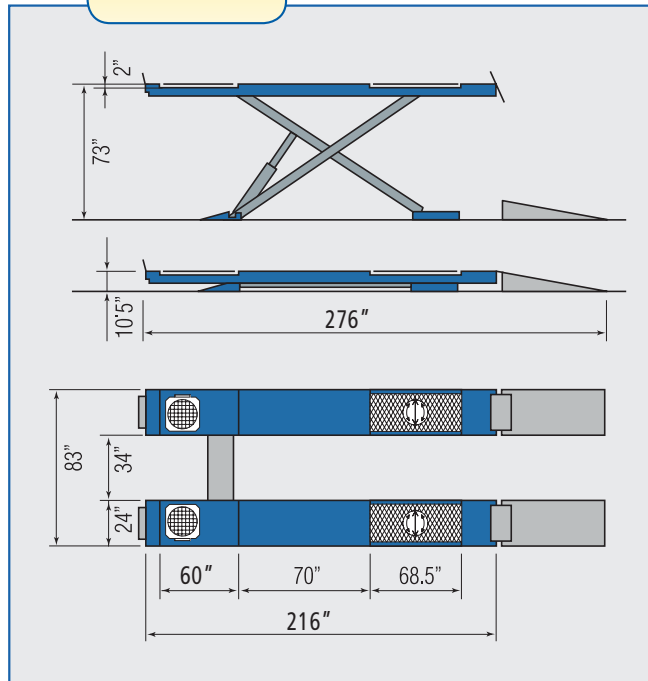
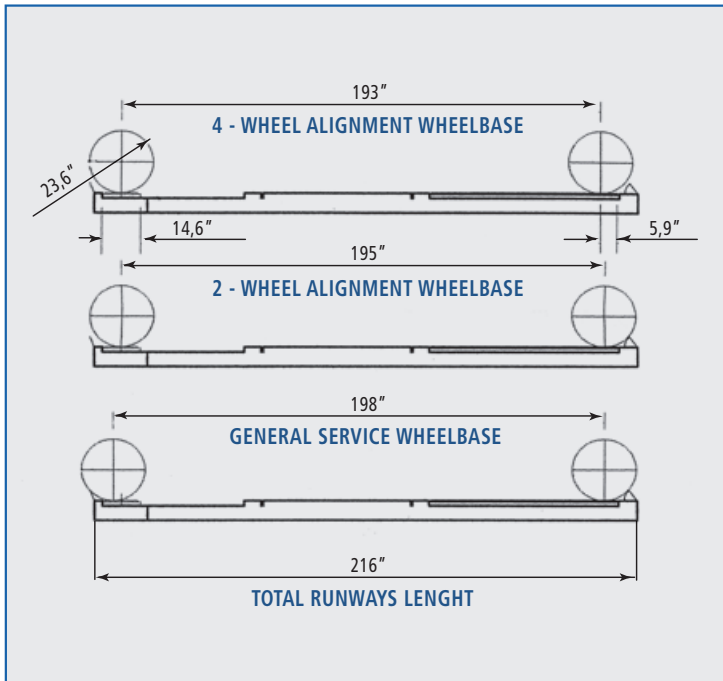
Hydraulic levelling system by means of a patented synchronisation device assures constantly level lifting platforms regardless of weight distribution.



Mechanical locking device with automatic engagement and pneumatic release, ensuring maximum safety when lift is raised.



Flush multiple  
plate locations



**RAV 660.5.55**

**14,000 lbs**

Version with front  
hydraulic play detector.



RAV Equipment U.S.A. Inc.  
+1.888.625.4387  
info@ravamerica.com

INTERNATIONAL  
Ravaglioli S.p.A.  
40037 Sasso Marconi  
Fraz. Pontecchio M.  
P.O.B. 1690 - Bologna - Italia  
Tel. +39 - 051 - 6781511  
Fax +39 - 051 - 846349  
rav@ravaglioli.com  
www.ravaglioli.com